

**Applicable Model**

PS51-D1-EU

**Drawing Title**

Home Control  
Center Panel

**Drawing Unit**

mm

**Drawing Scale**

Not to scale

**DRAFT  
CHANGE TO  
SUBJECT**

**Last Revised**

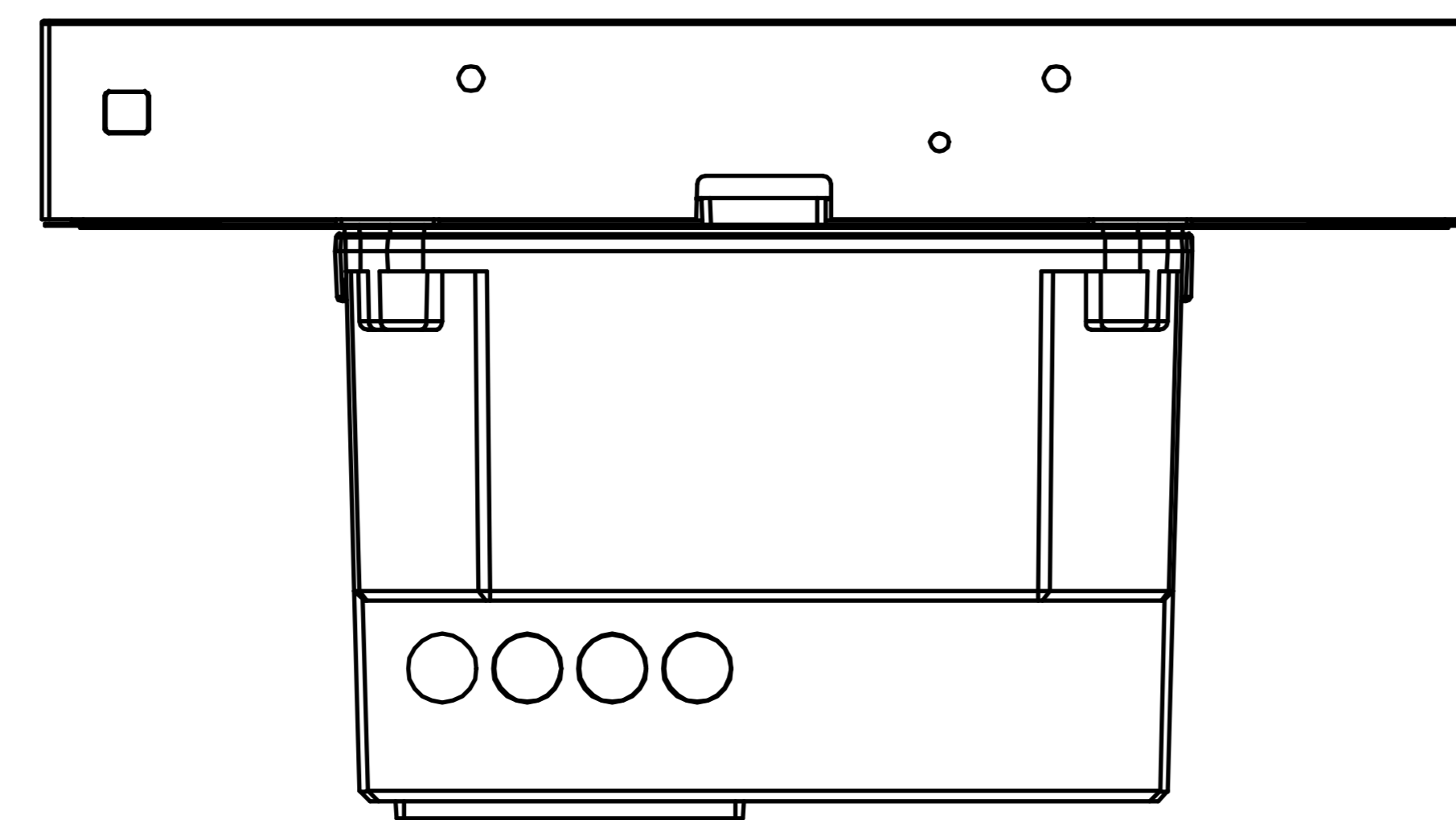
Jan 19, 2024

**Drawing Version**

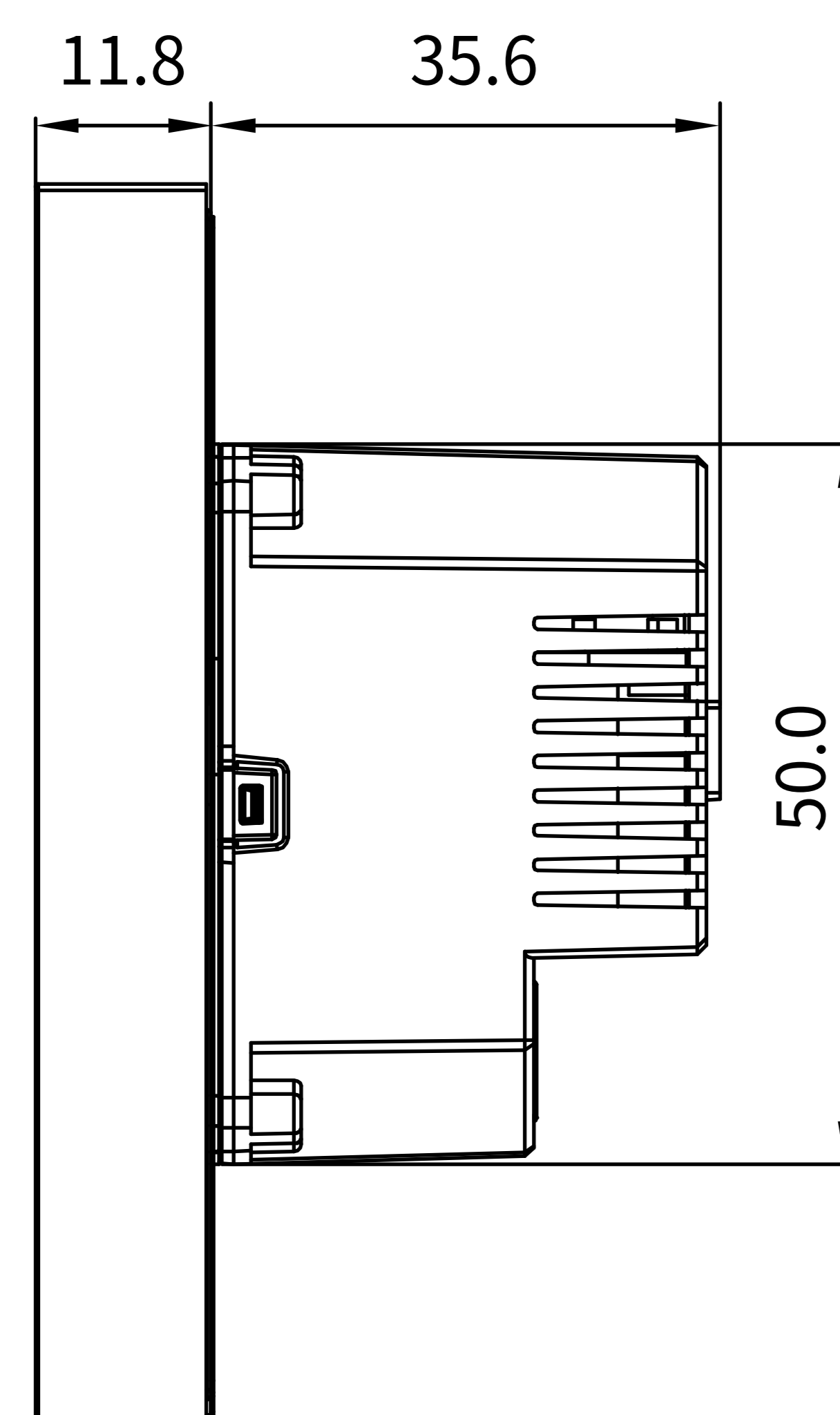
V1.0

**Page**

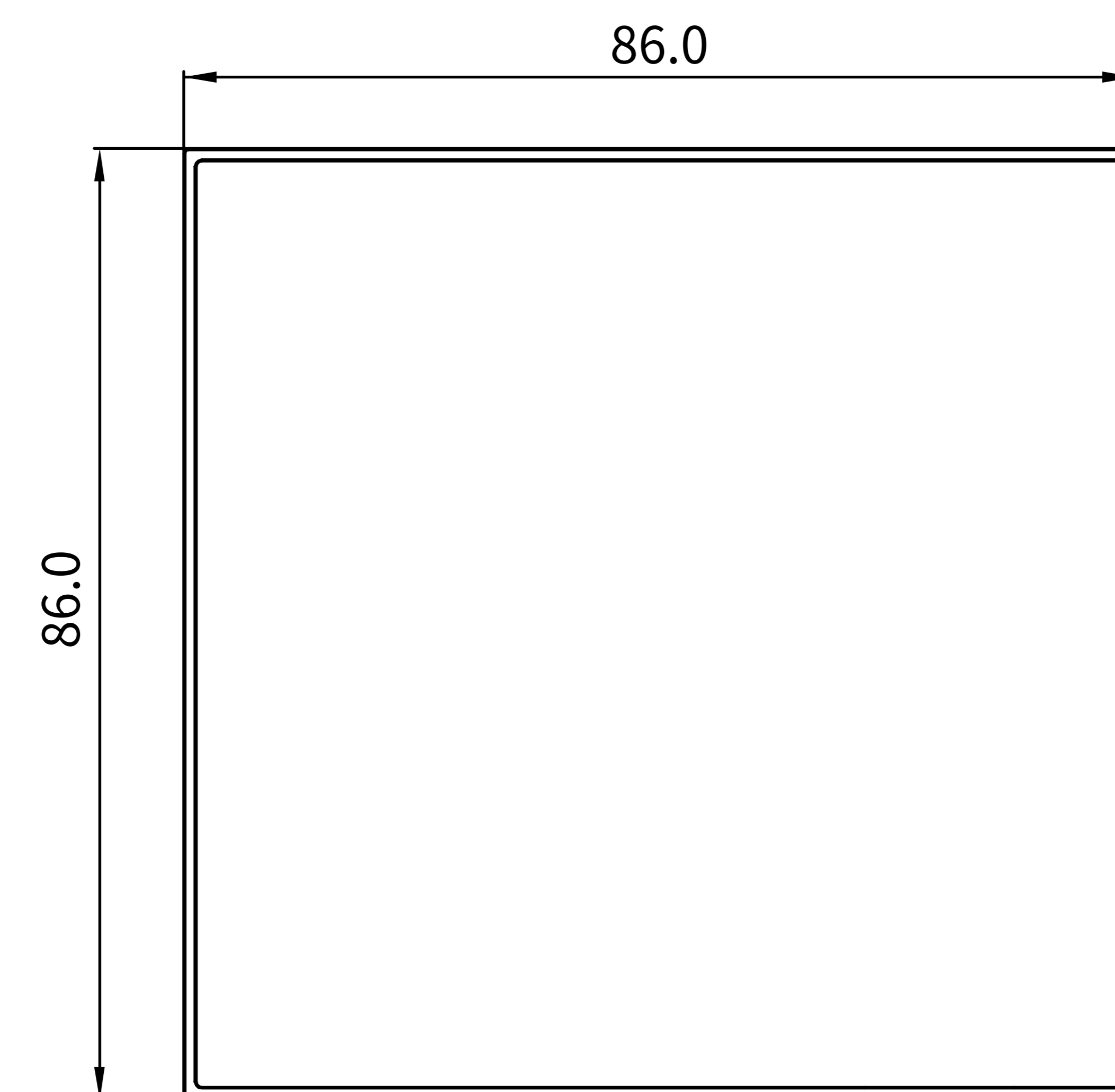
1 of 2



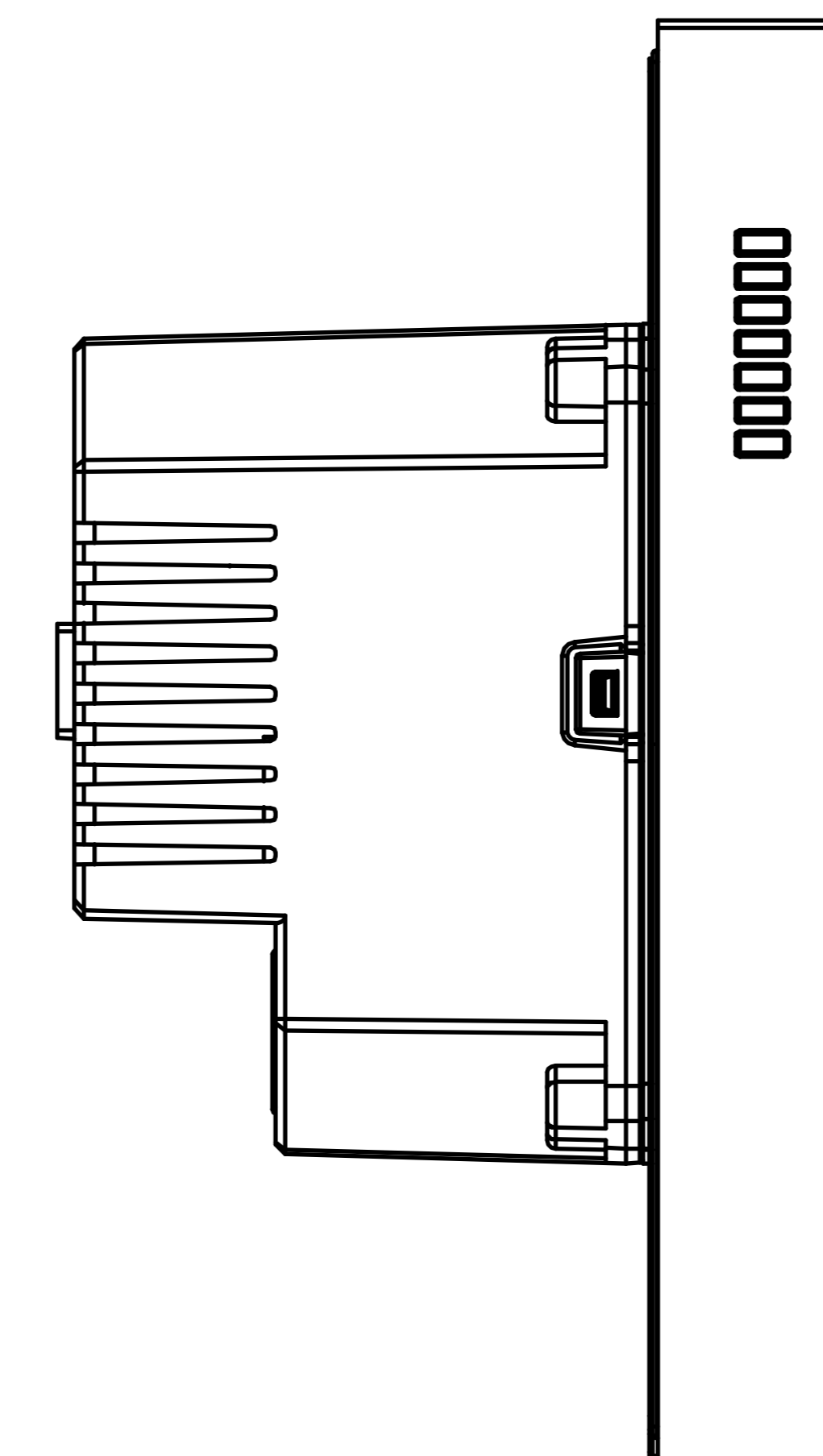
⑤ **BOTTOM VIEW**



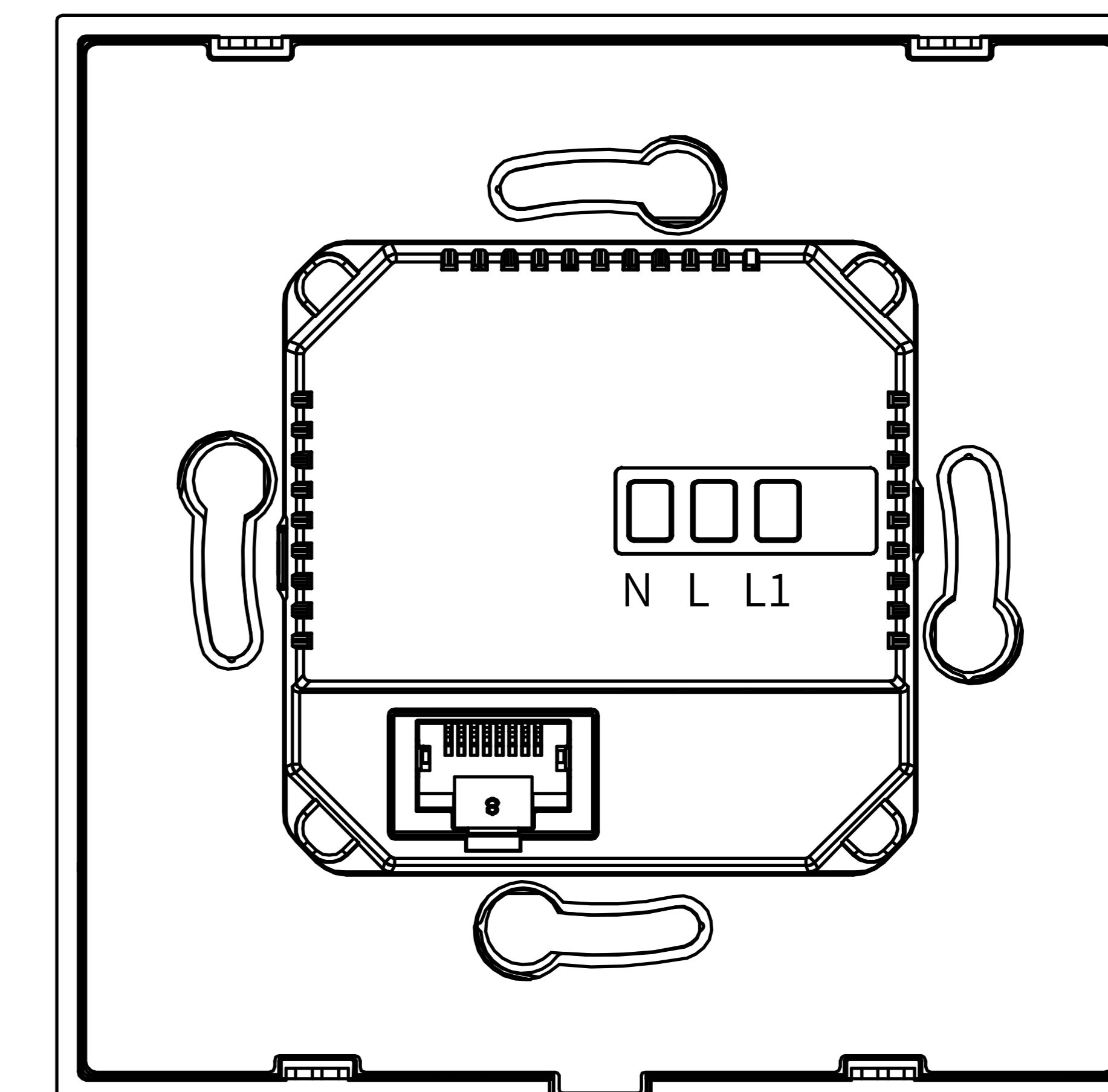
② **RIGHT VIEW**



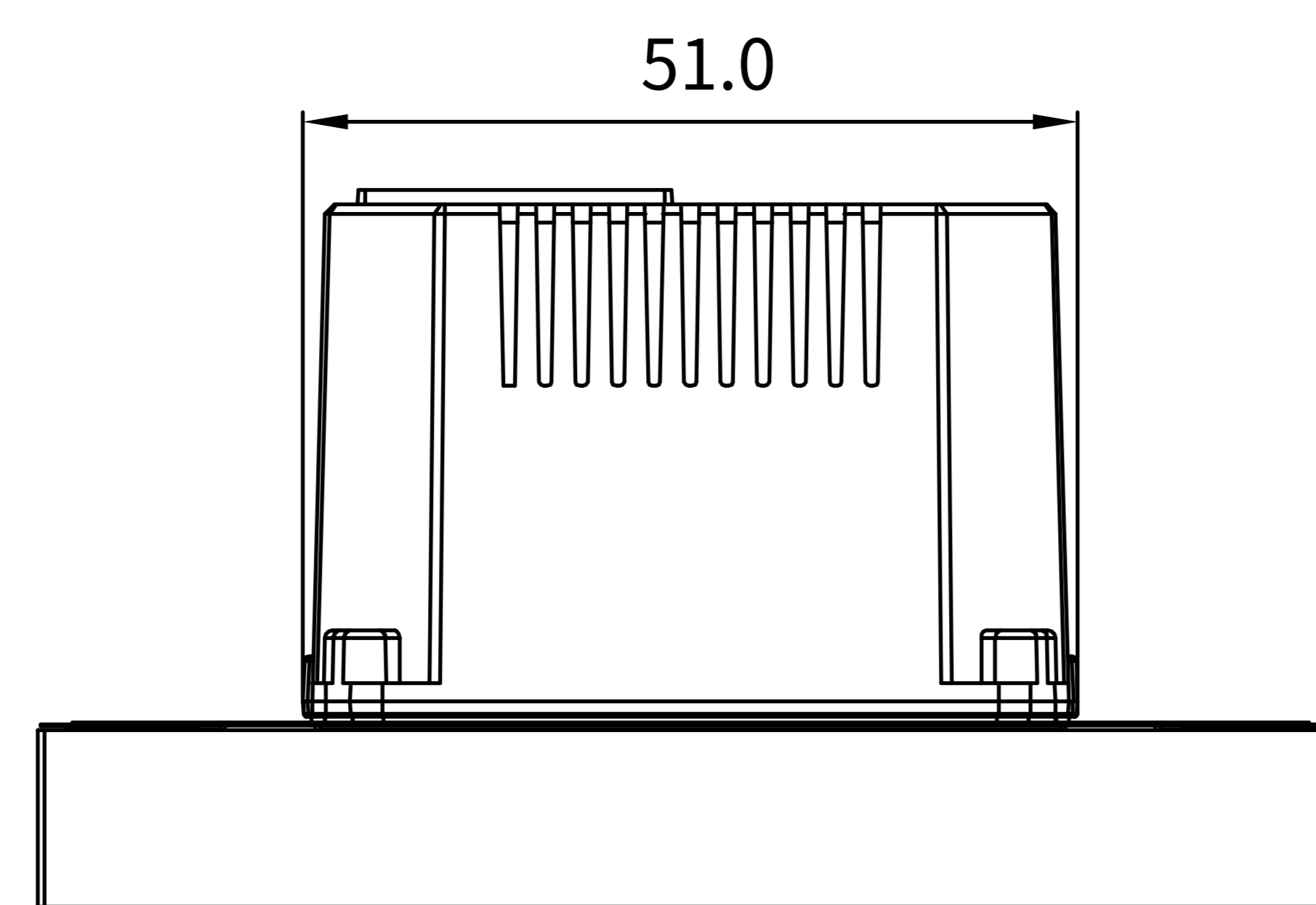
① **FRONT VIEW**



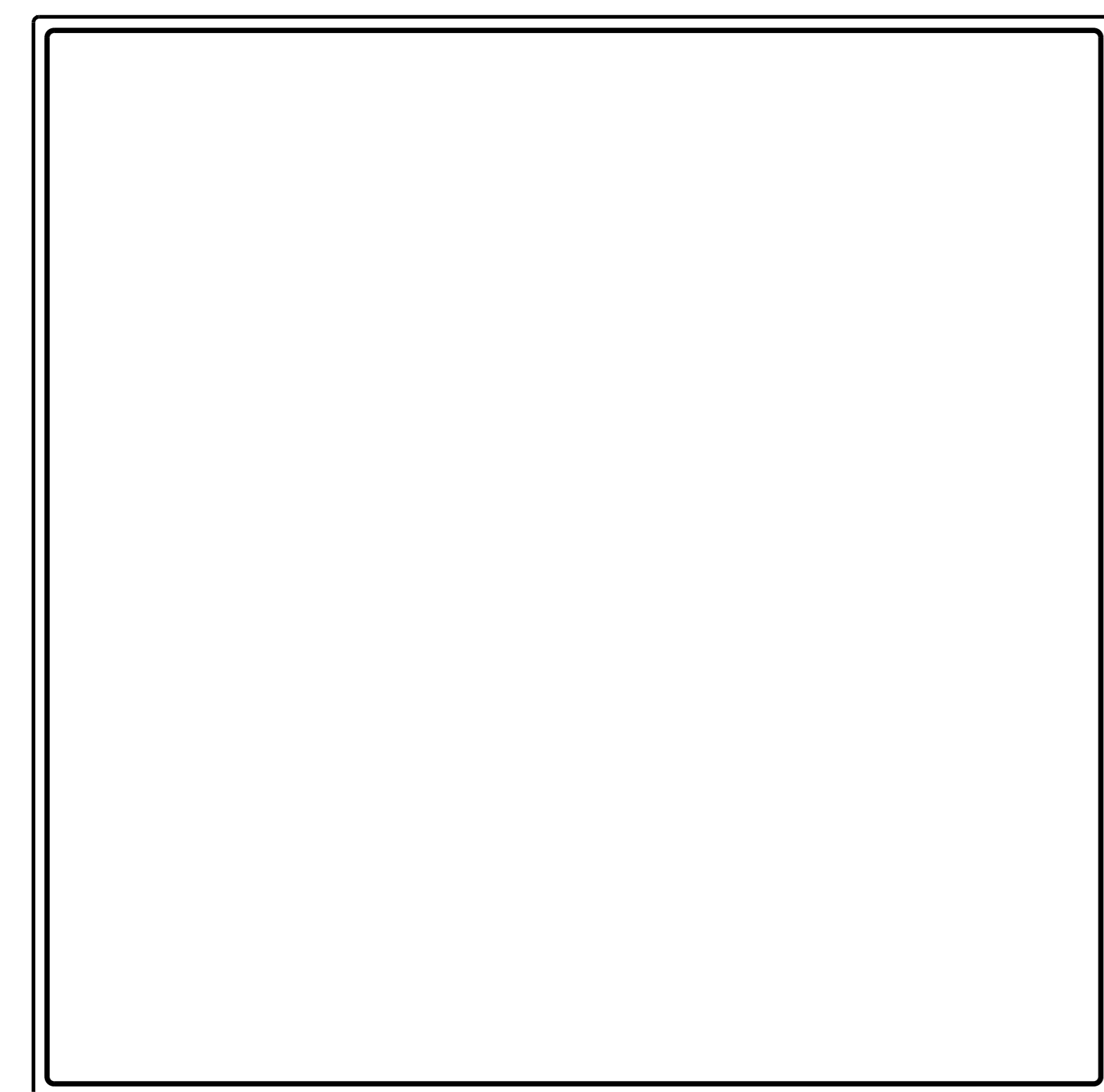
③ **LEFT VIEW**



④ **BACK VIEW**



⑥ **TOP VIEW**

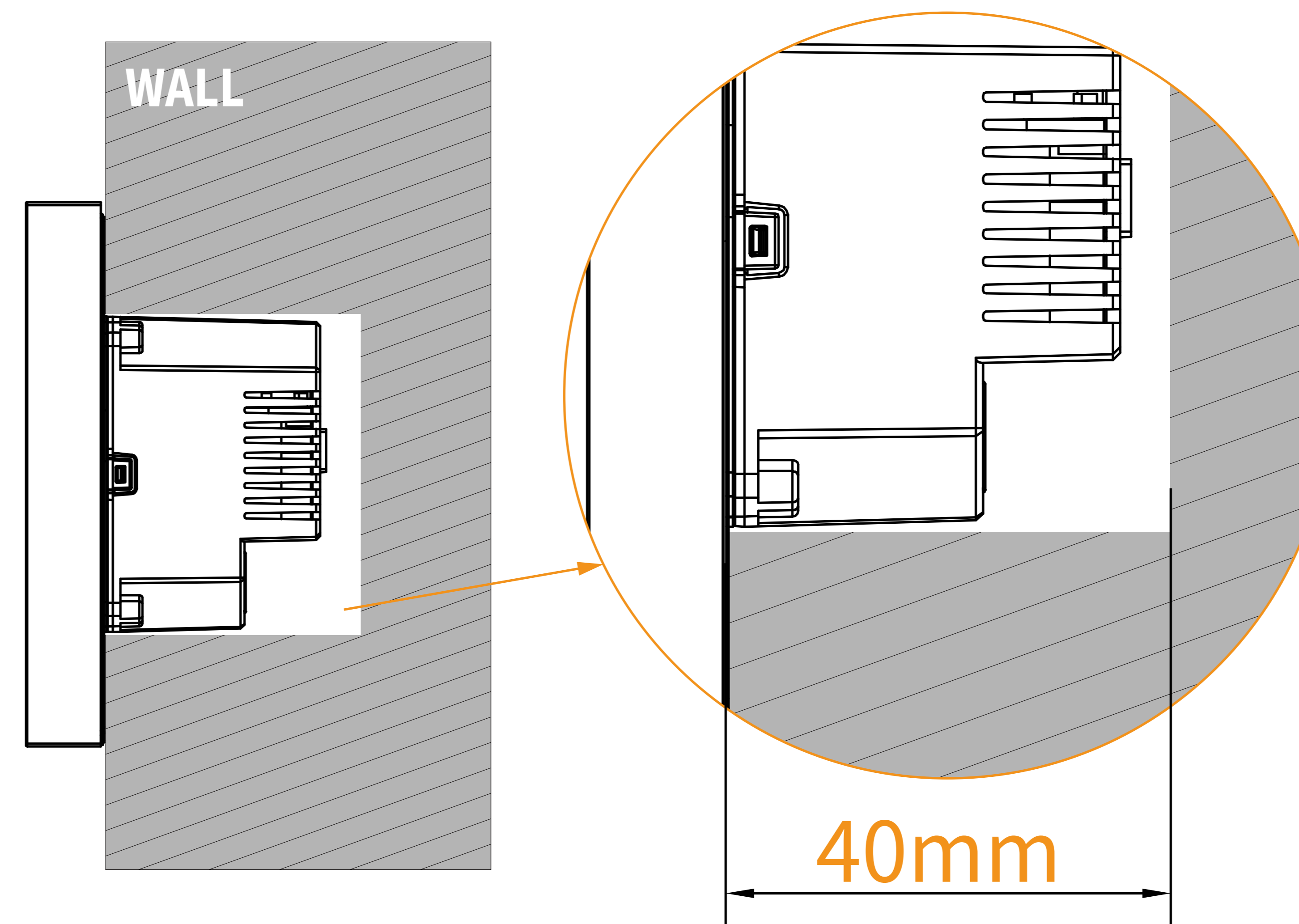
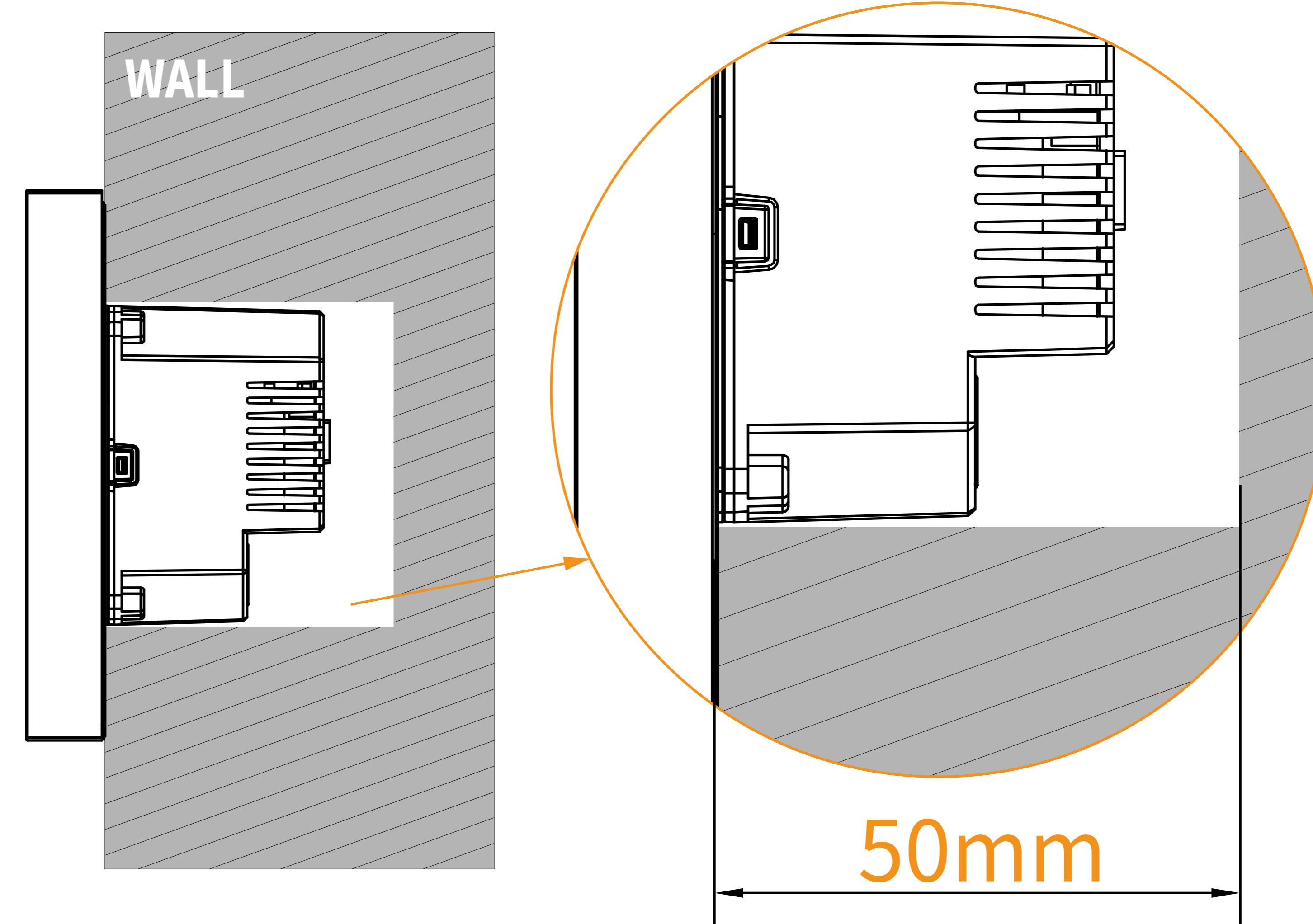


① HYPANEL FRONT VIEW

1100-1600mm TO BOTTOM OF PANEL

**ADA Compliance Requirement**

**GROUND**



② SIDE VIEW:HYPANEL IN WALL

A 50mm(2 inches) deep electrical box is highly recommended for ease of installation. In some scenarios, especially when the wires can be pushed back into the wall far enough, it may be possible to use a 40mm(1.6 inches) deep box.